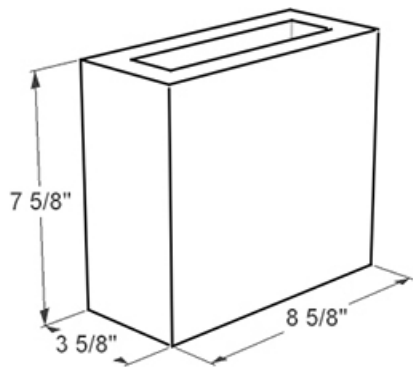
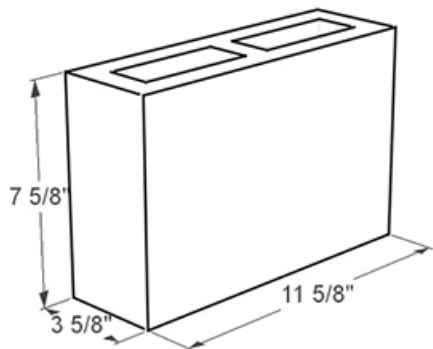


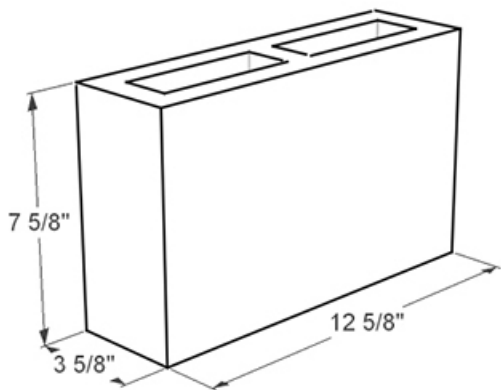
4X8X8



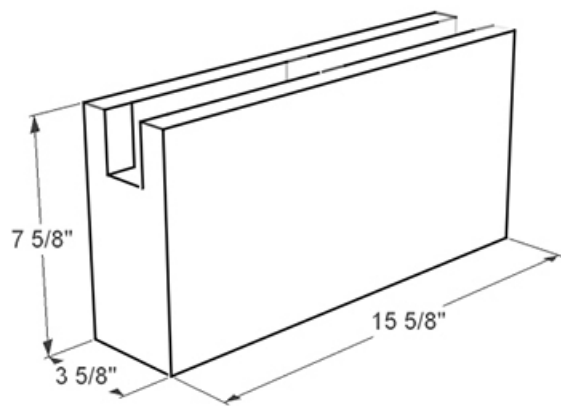
4X8X9



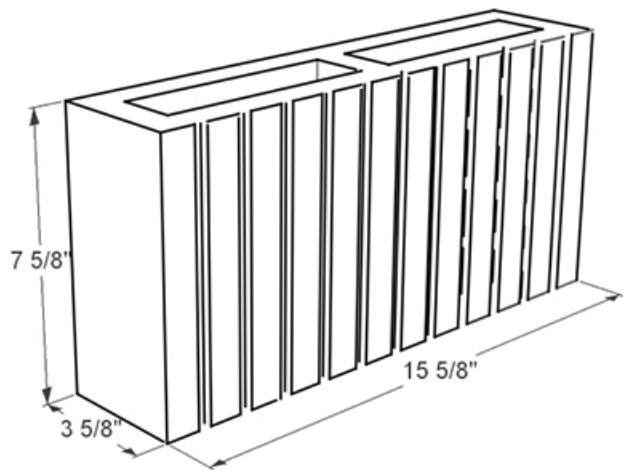
4X8X12



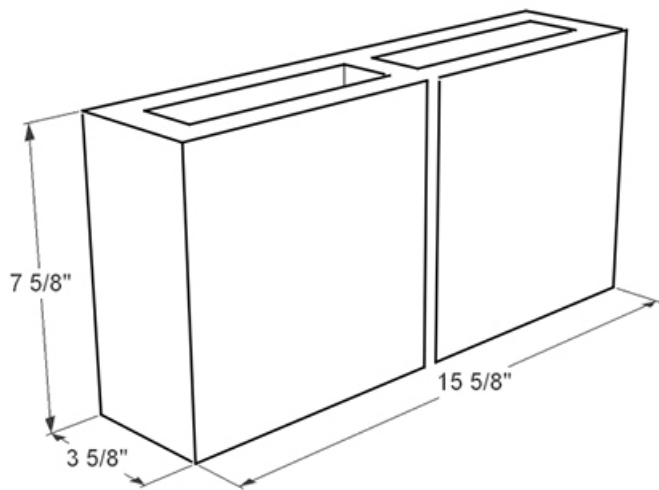
4X8X13



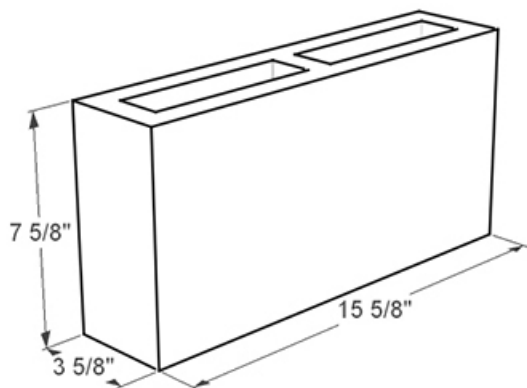
**4X8X16 BOND BEAM**



4X8X16 LIDO

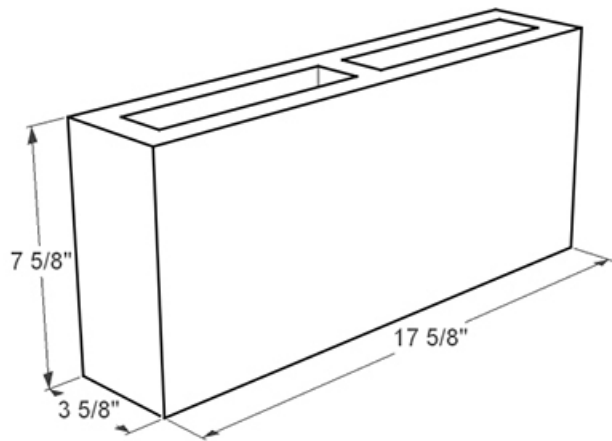


4X8X16 VERTICAL SCORE

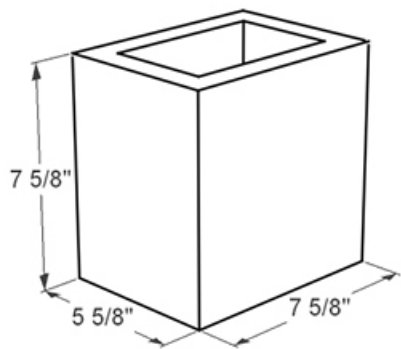


4X8X16

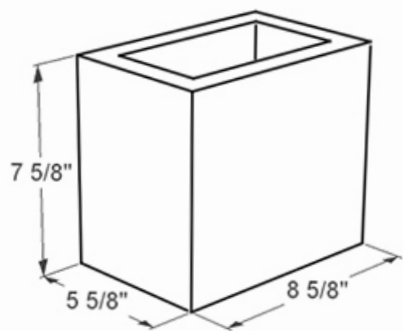




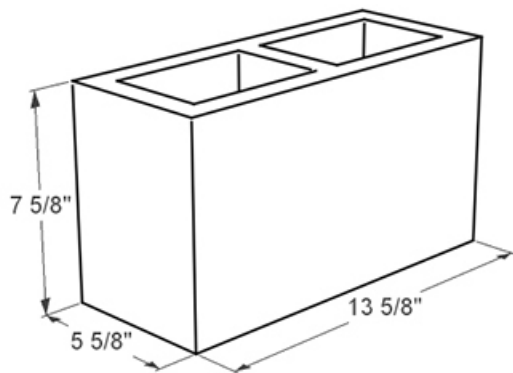
4X8X18



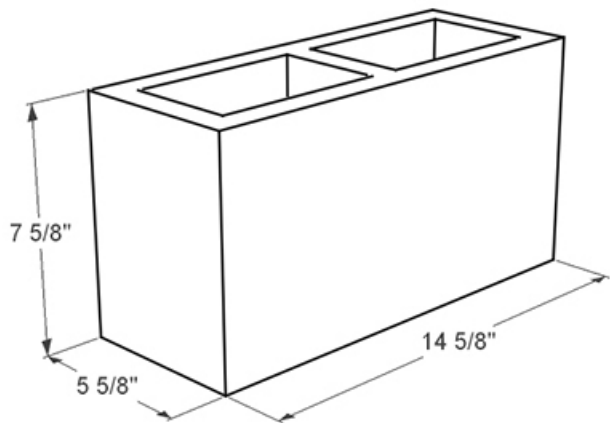
6X8X8



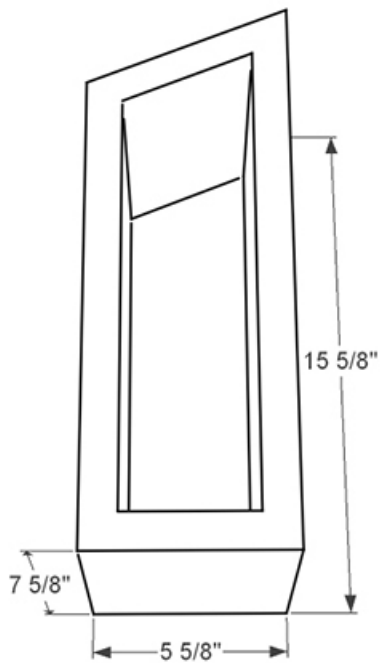
6X8X9



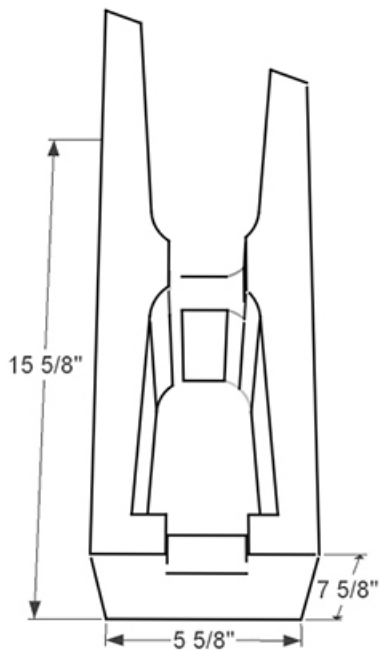
6X8X14



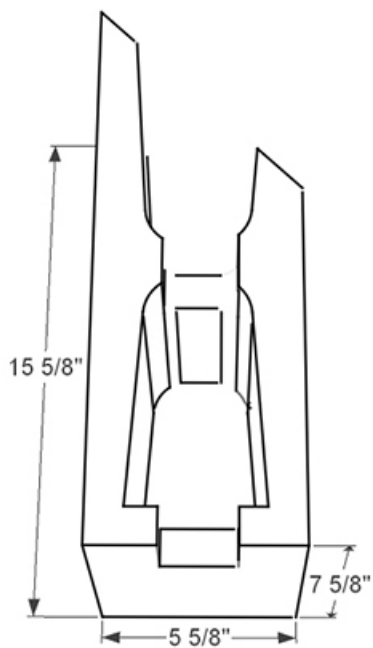
6X8X15



6X8X16 22.5 MITER SINGLE CORE

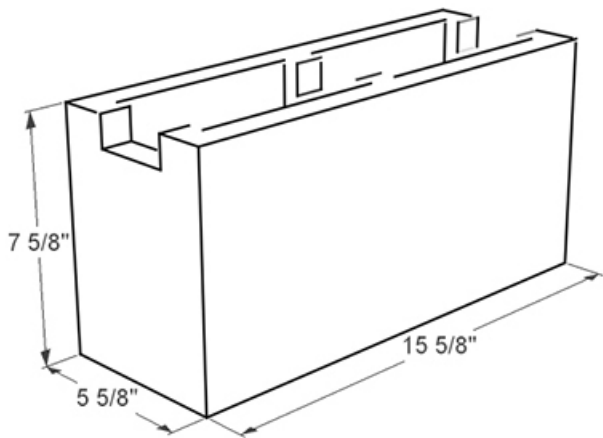


6X8X16 22.5 DEGREE MITER BOND BEAM

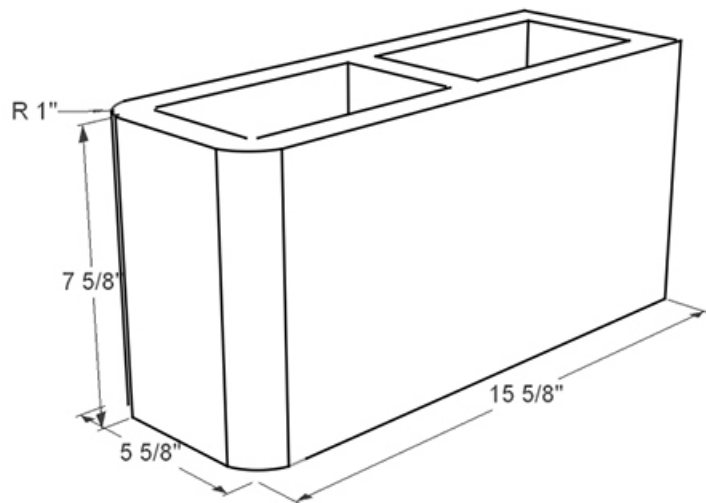


6X8X16 45 DEGREE MITER BOND BEAM

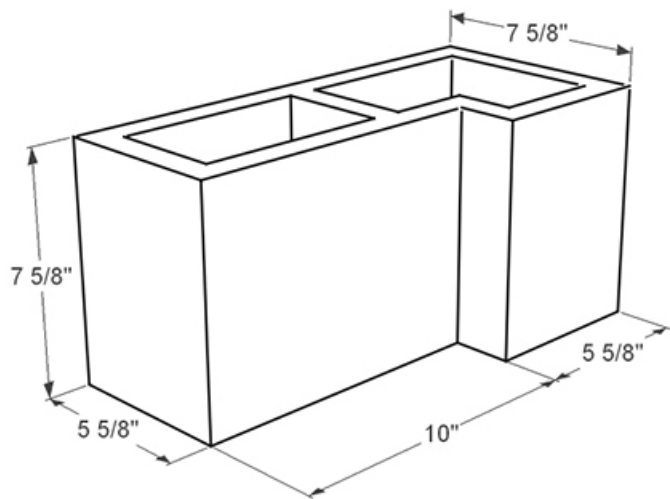




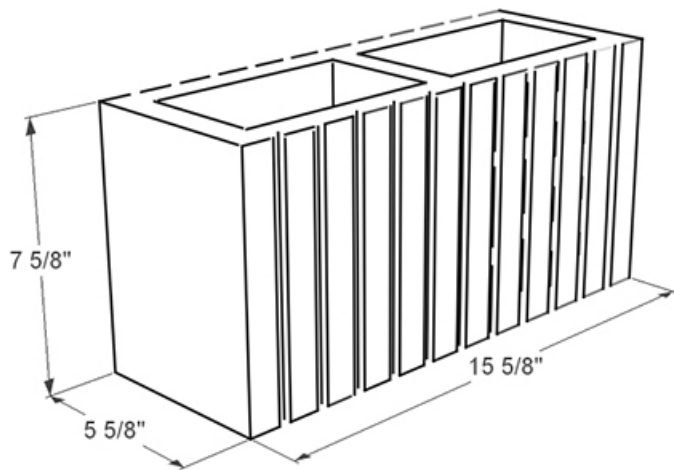
**6X8X16 BOND BEAM**



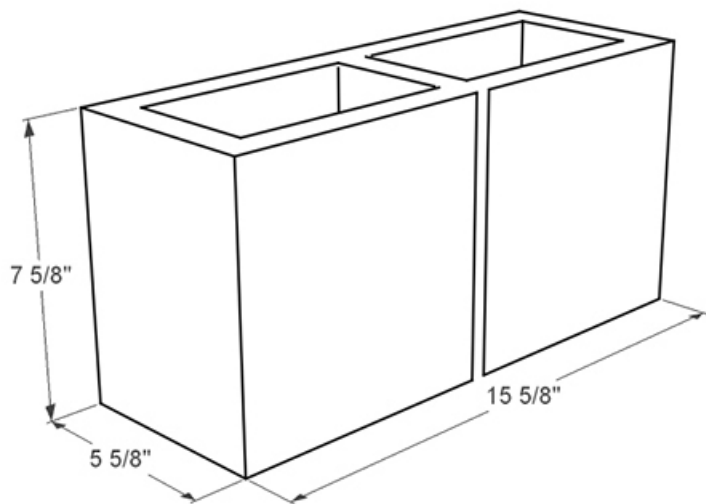
**6X8X16 BULLNOSE 2 ENDS**



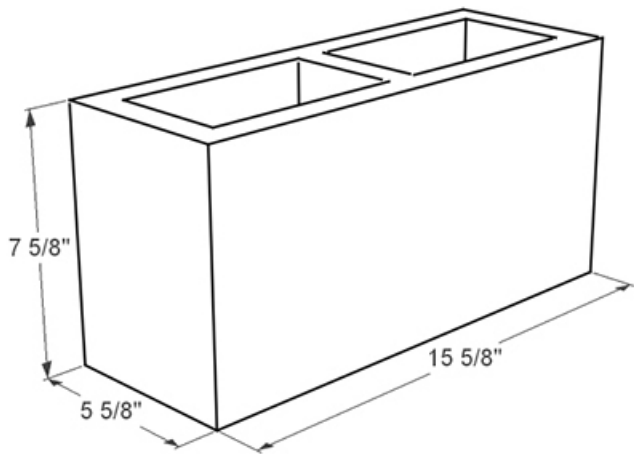
6X8X16 CORNER RETURN



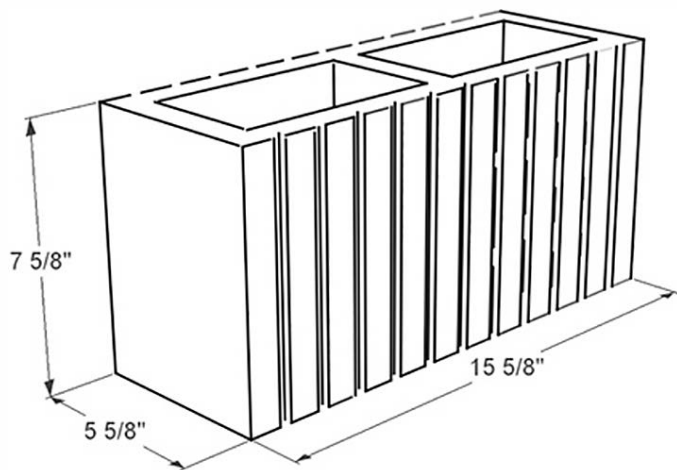
6X8X16 LIDO



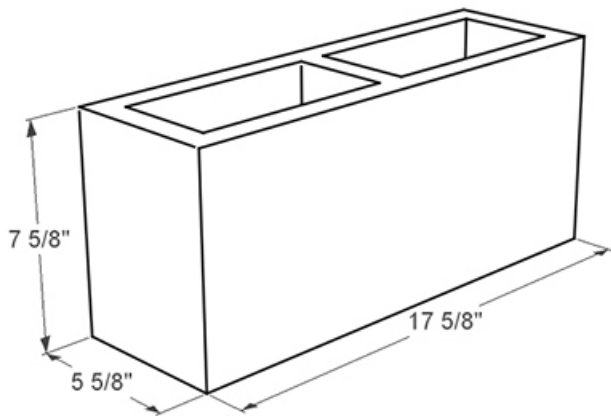
6X8X16 VERTICAL SCORE



6X8X16

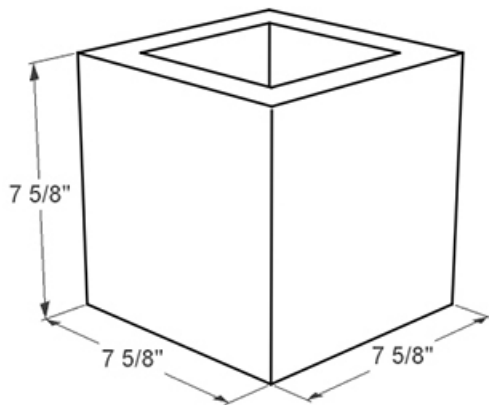


6X8X16 LIDO

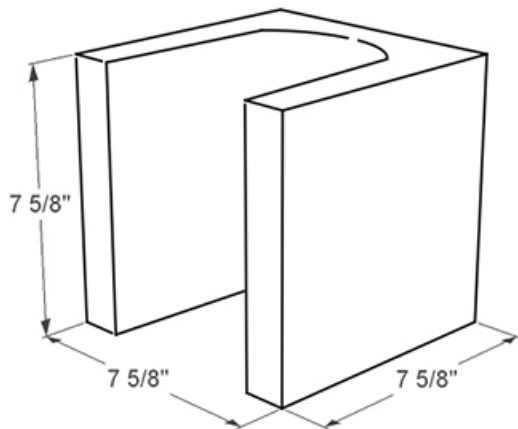


6X8X18

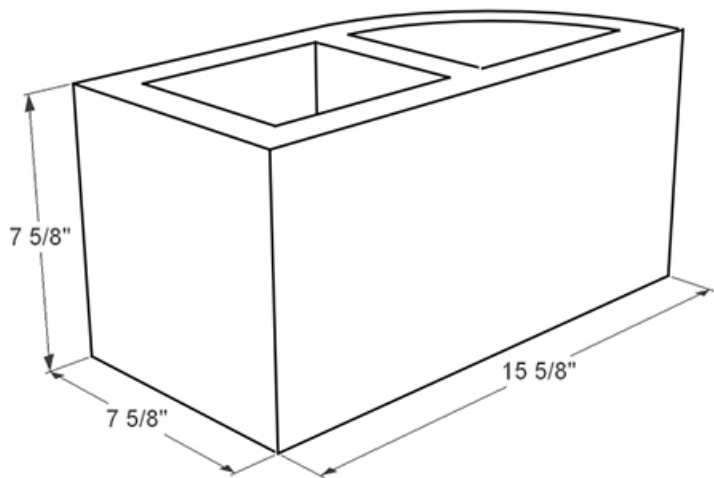




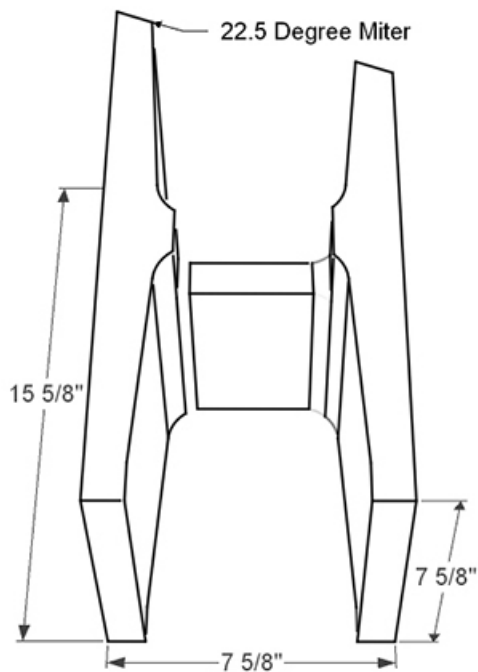
8X8X8



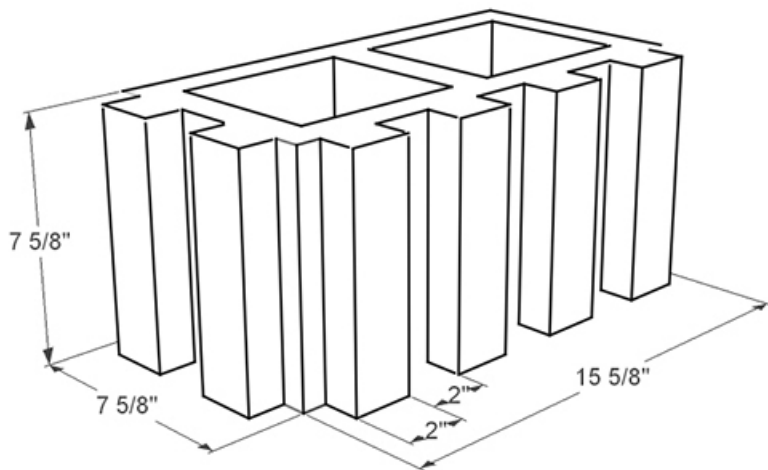
8X8X8 U LINTEL



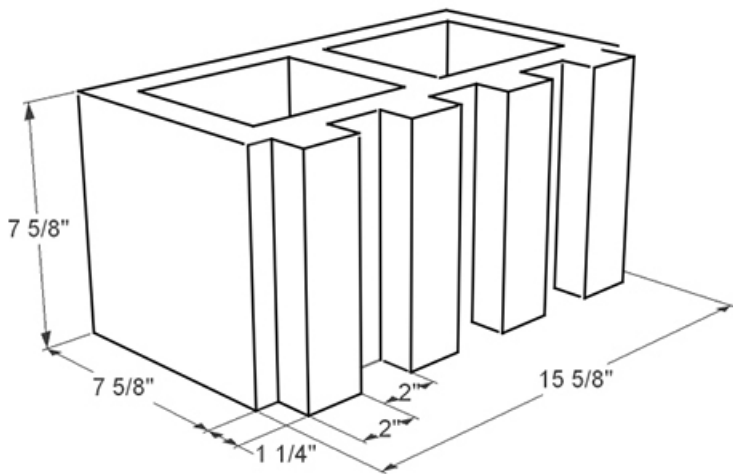
**8X8X16 8 INCH RADIUS BLOCK**



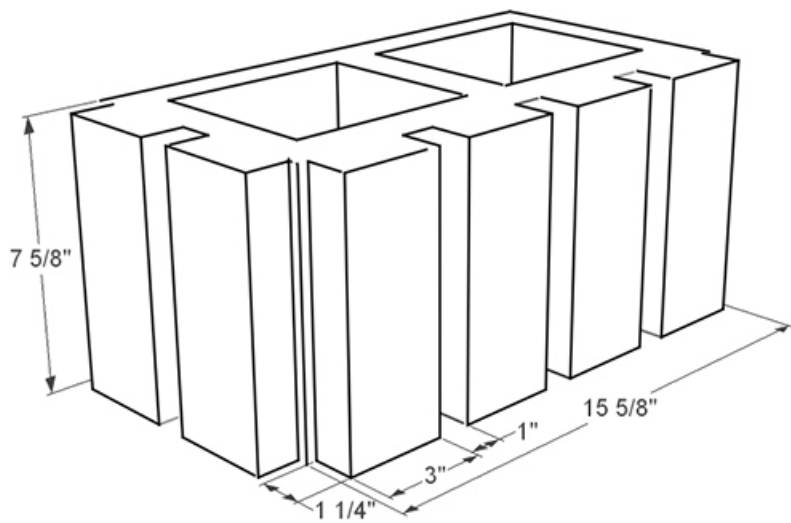
8X8X16 22.5 DEGREE MITER DOUBLE OPEN END BOND BEAM



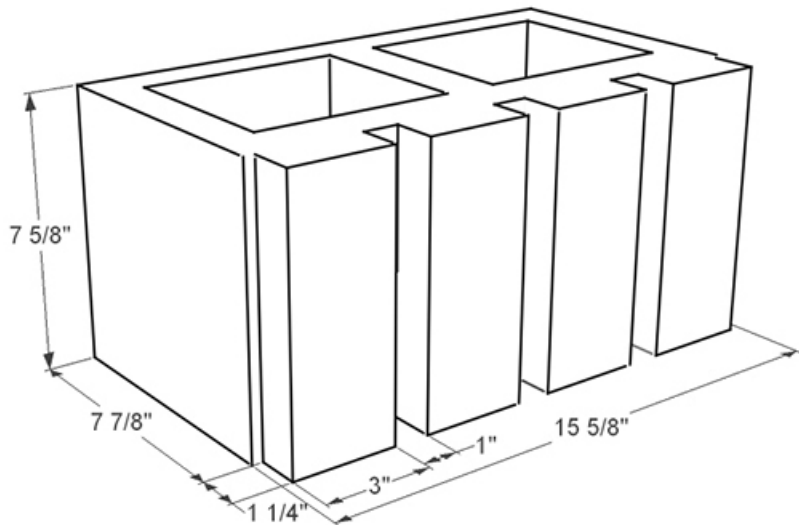
8X8X16 202 SCORE 1 SIDE 1 END



8X8X16 202 SCORE 1 SIDE

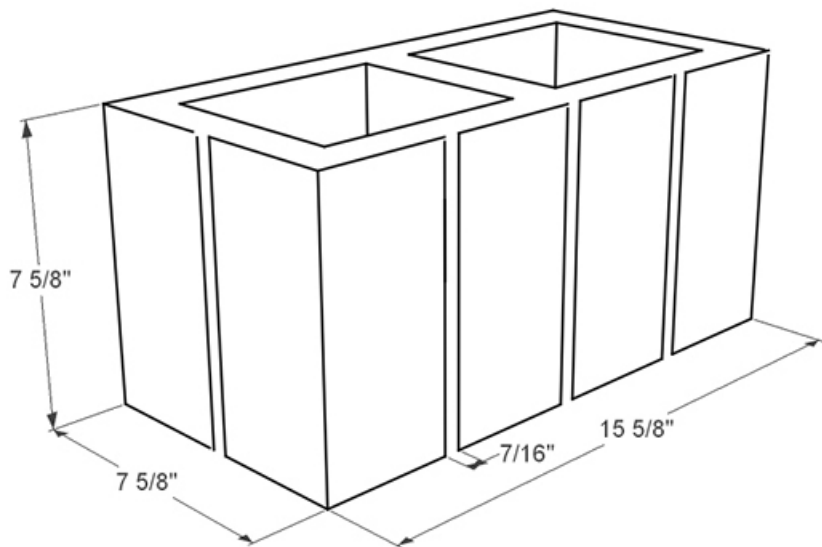


8X8X16 301 SCORE 1 SIDE 1 END

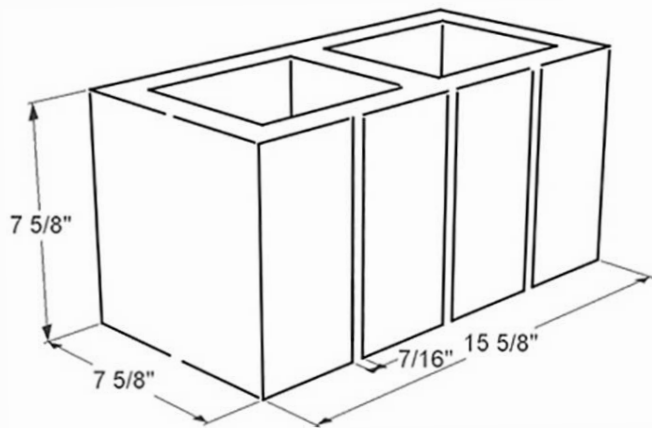


8X8X16 301 SCORE 1 SIDE

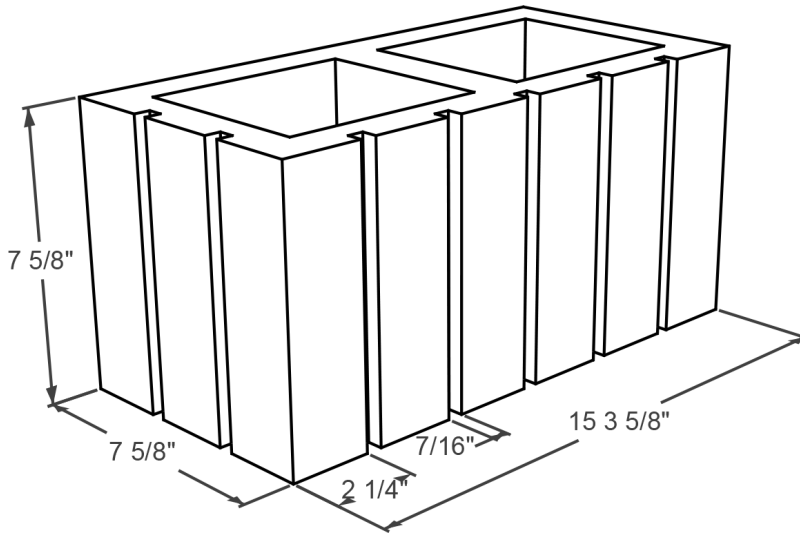




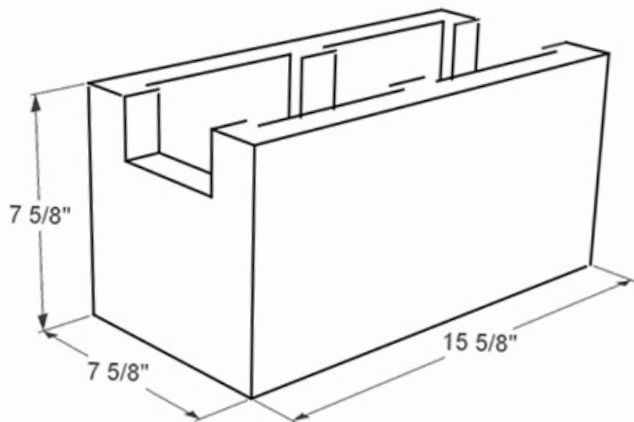
8X8X16 503 SCORE 1 SIDE 1 END



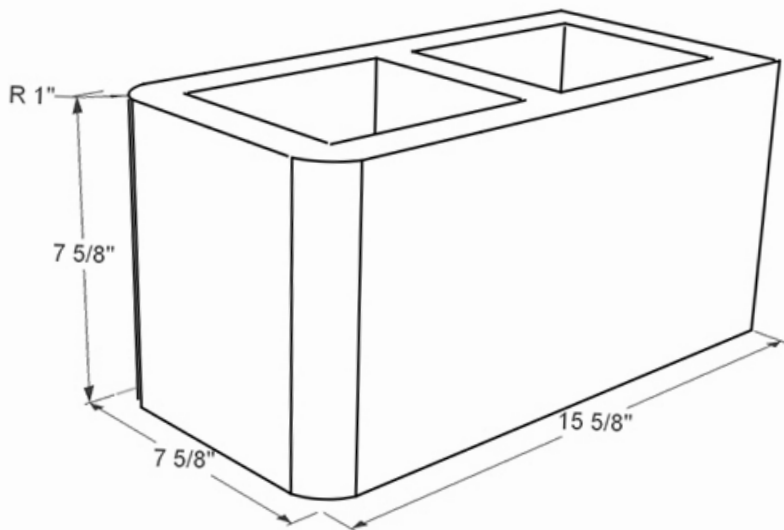
8X8X16 503 SCORE



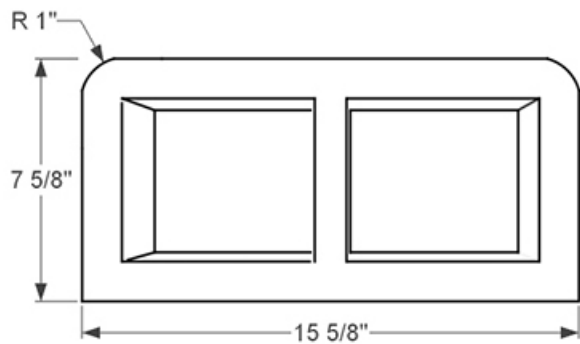
8X8X16 505 SCORE 1 SIDE 1 END



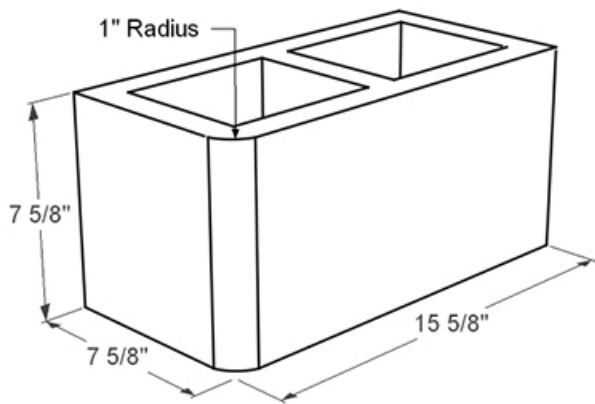
**8X8X16 BOND BEAM**



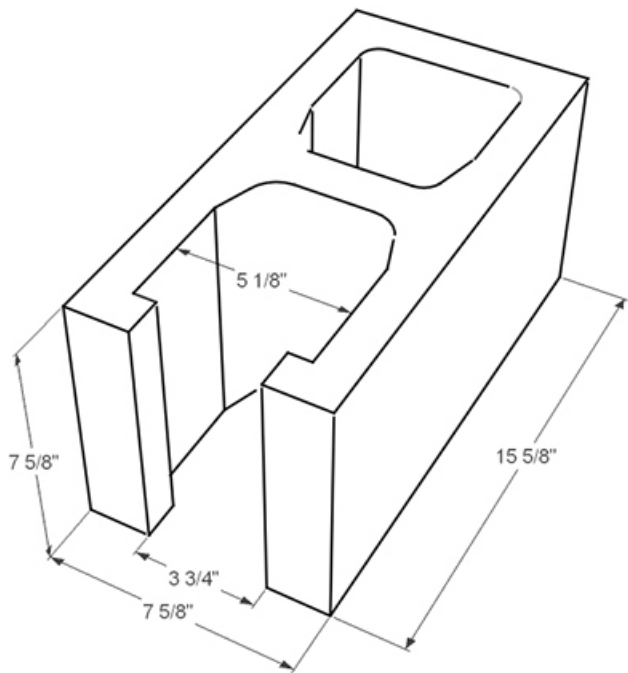
**8X8X16 BULLNOSE 2 ENDS**



**8X8X16 BULLNOSE 2 SIDES**

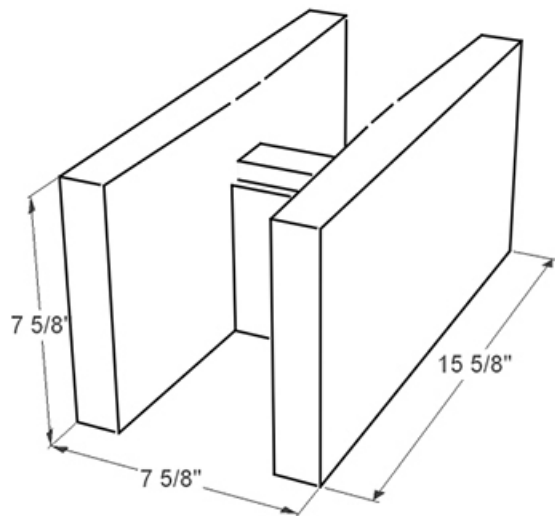


**8X8X16 BULLNOSE**

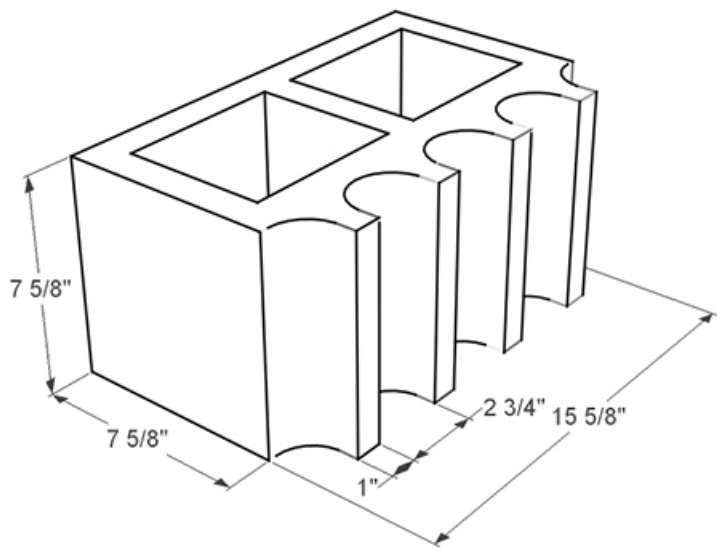


**8X8X16 CAL TRANS CONFIGURATION**

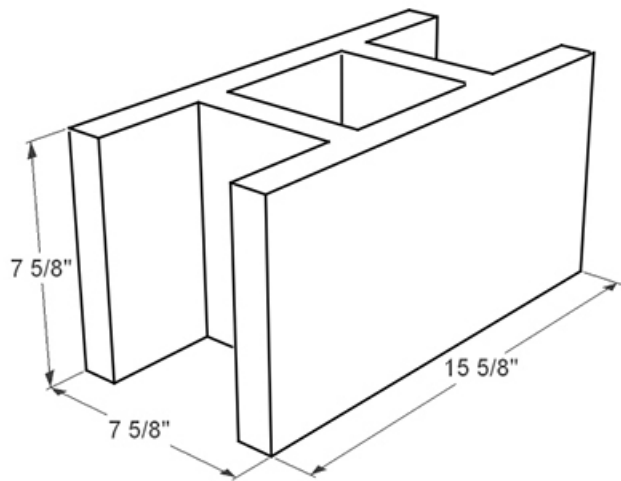




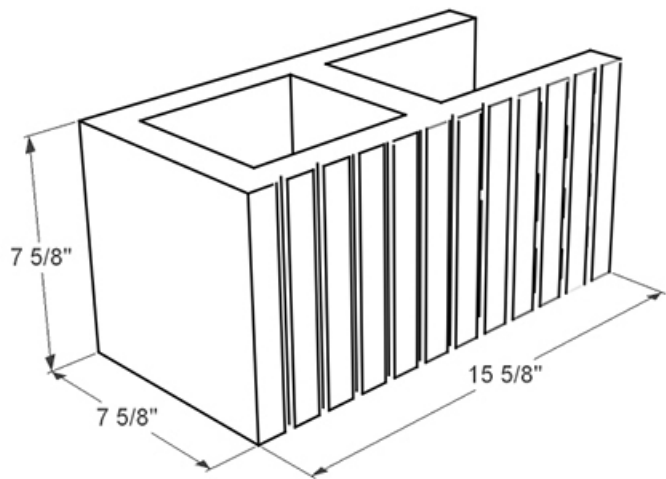
**8X8X16 DOUBLE OPEN END BOND BEAM**



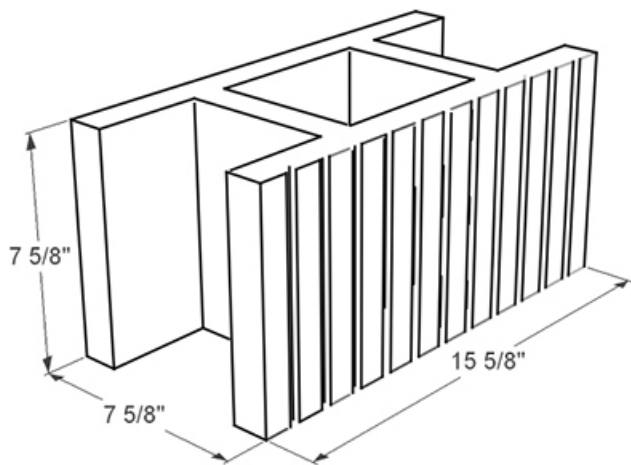
8X8X16 FLUTED 103



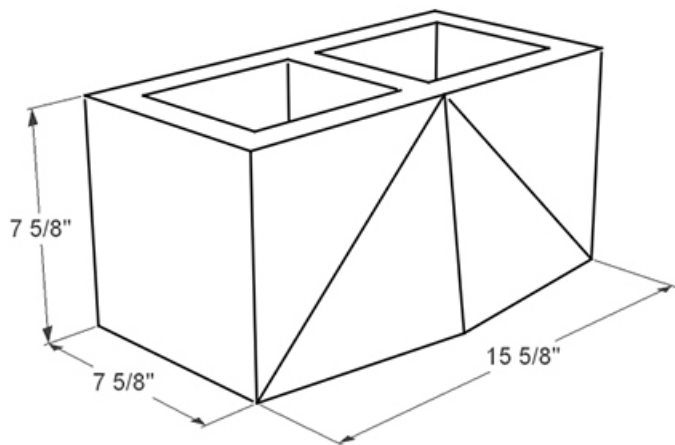
**8X8X16 H BLOCK**



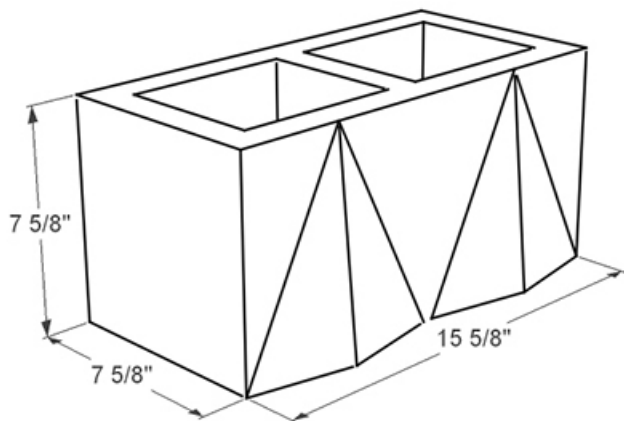
8X8X16 LIDO A PILASTER



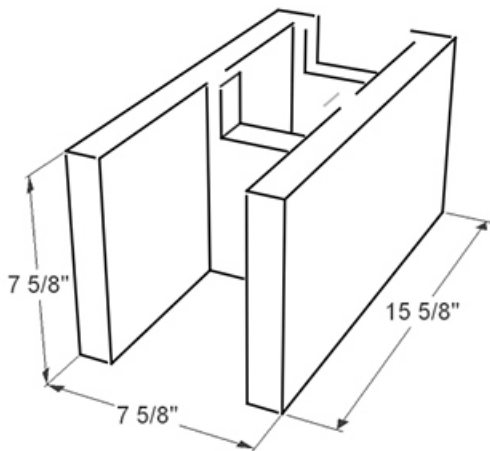
8X8X16 LIDO H PILASTER



**8X8X16 MK1 SHADOW BLOCK**

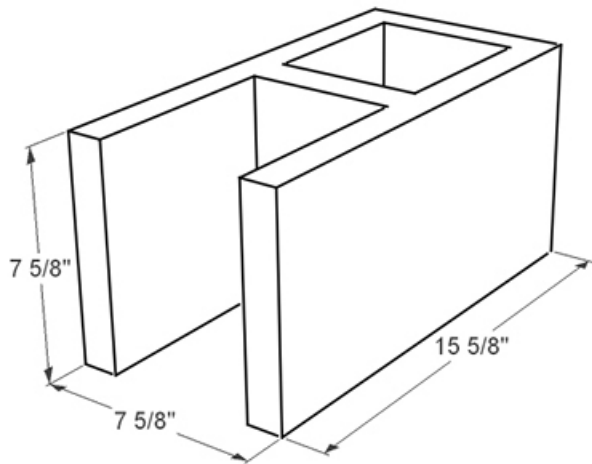


**8X8X16 MK2 SHADOW BLOCK**

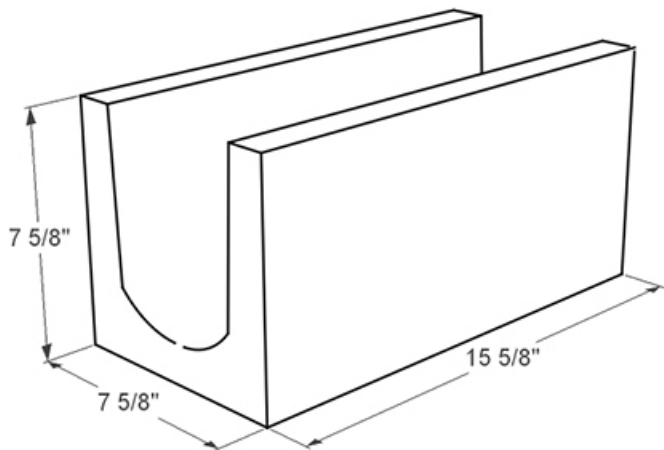


**8X8X16 OPEN END BOND BEAM**

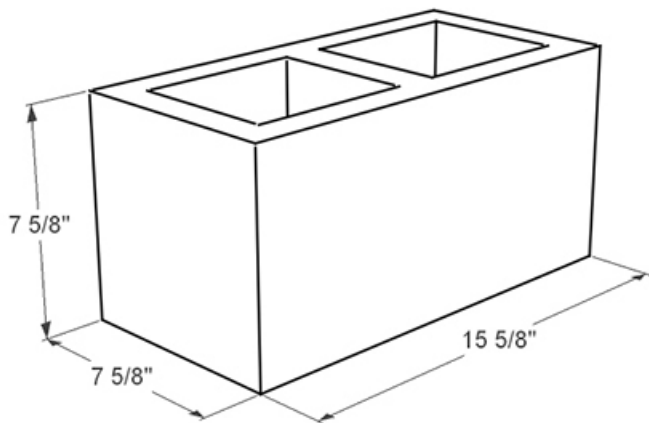




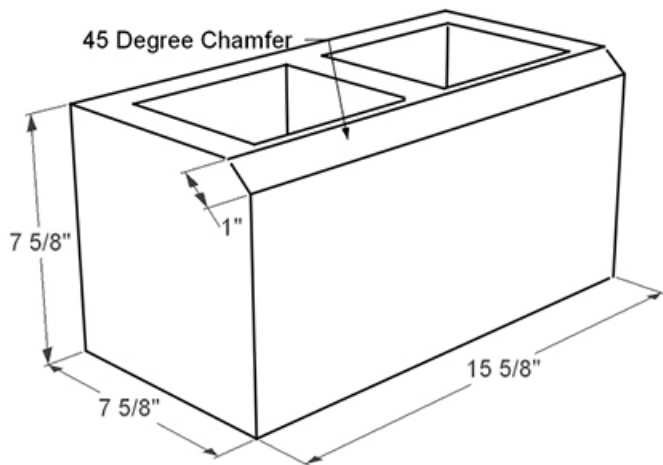
**8X8X16 OPEN END**



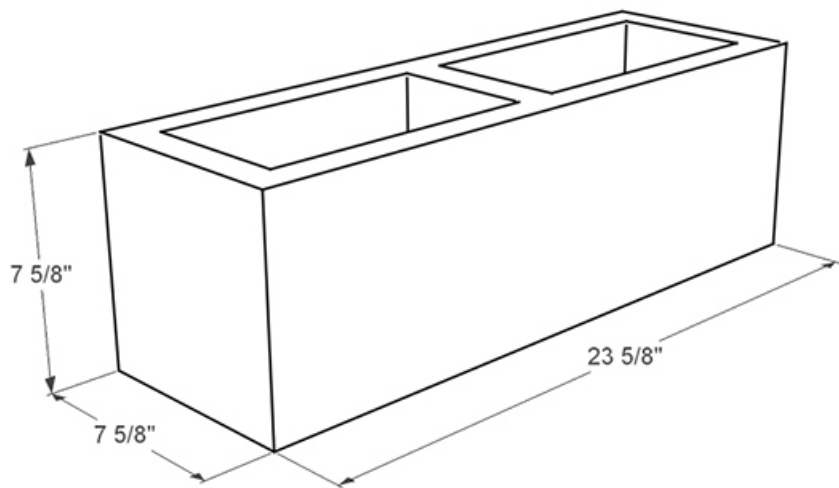
**8X8X16 SOLID BOTTOM U LINTEL**



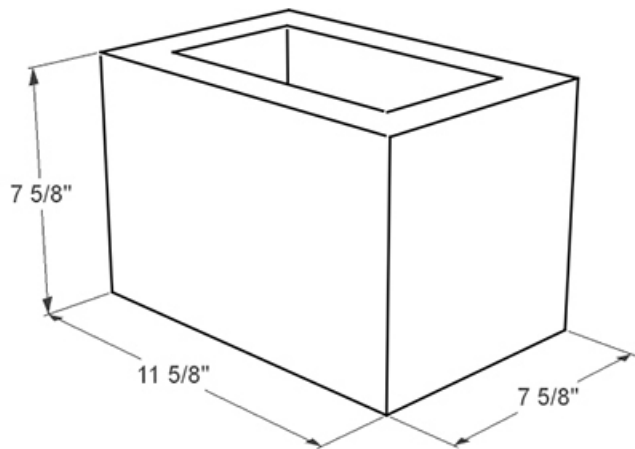
8X8X16



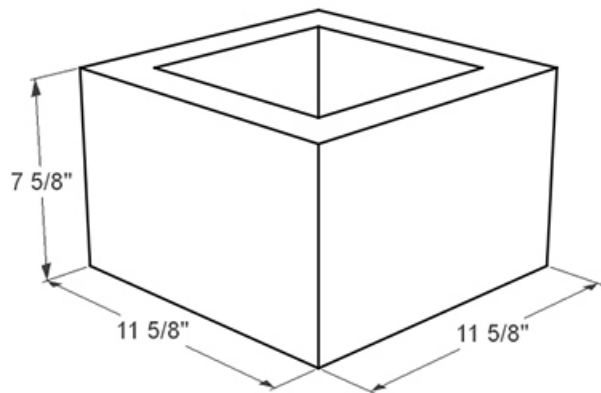
**8X8X16 WITH 1 INCH CHAMFER**



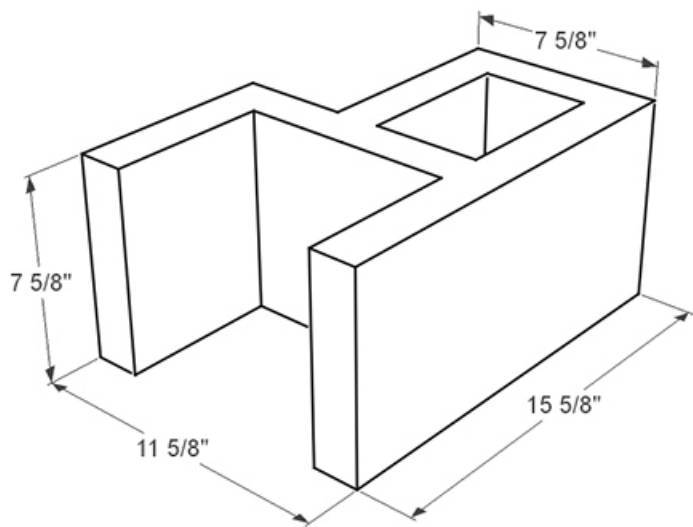
8X8X24



12X8X8

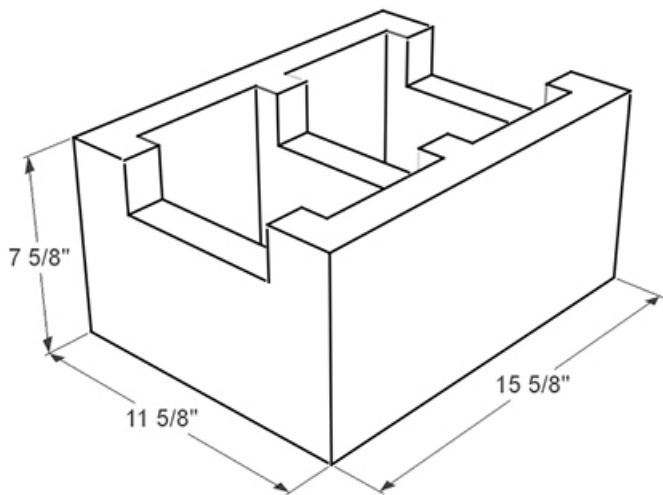


12X8X12

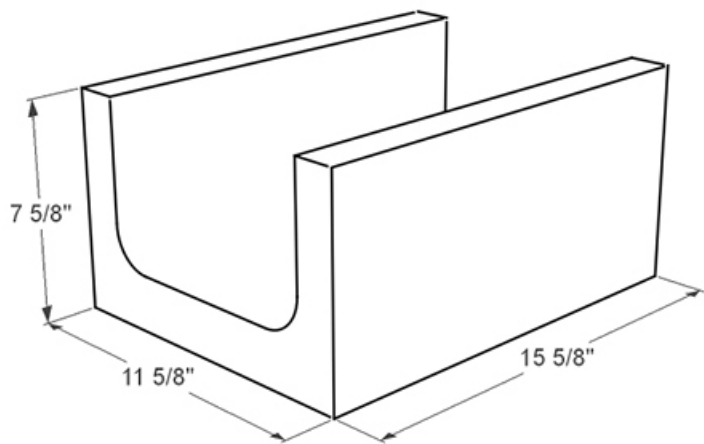


**12X8X16 BANJO**

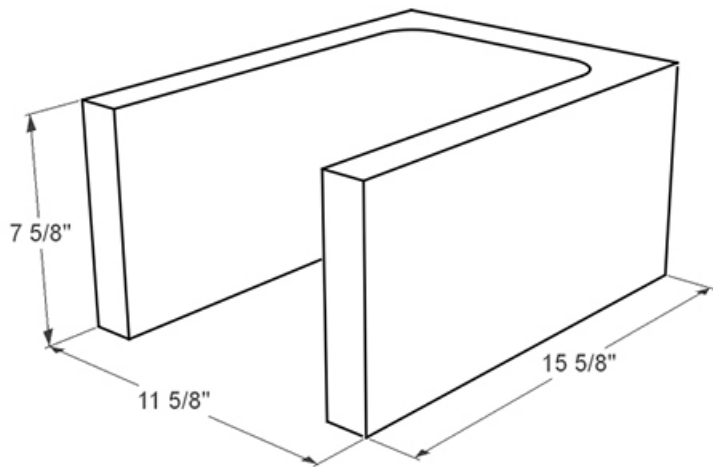




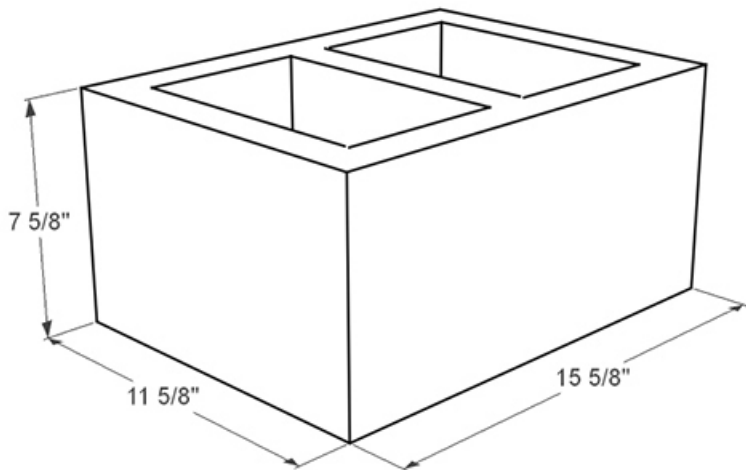
**12X8X16 BOND BEAM**



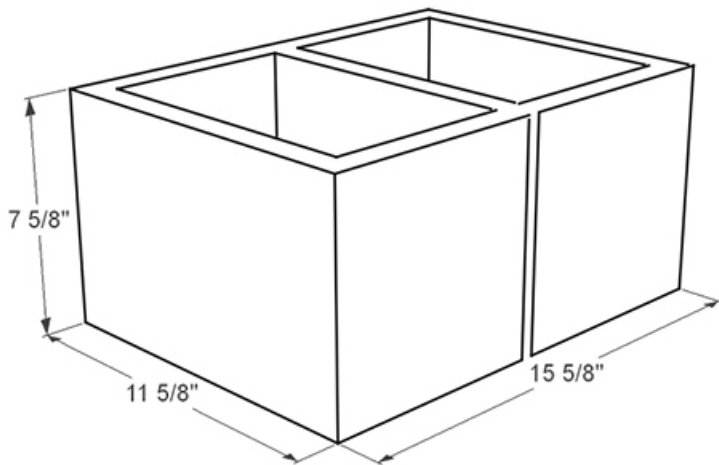
12X8X16 SOLID BOTTOM U LINTEL



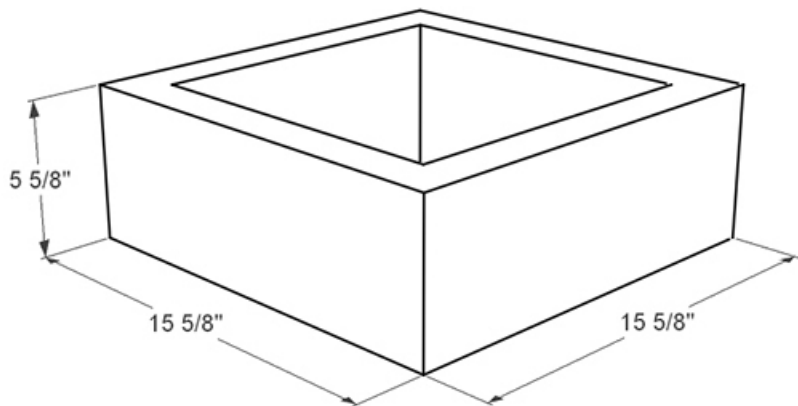
**12X8X16 DEEP U LINTEL**



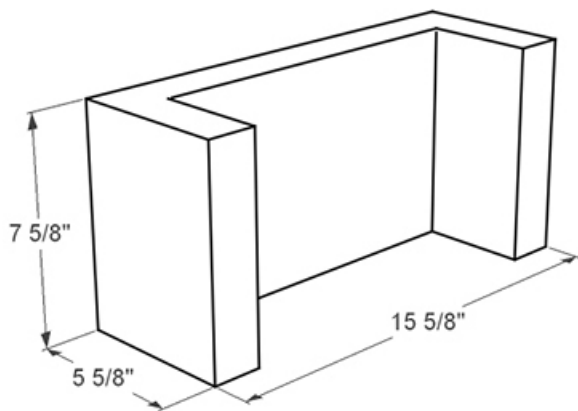
12X8X16



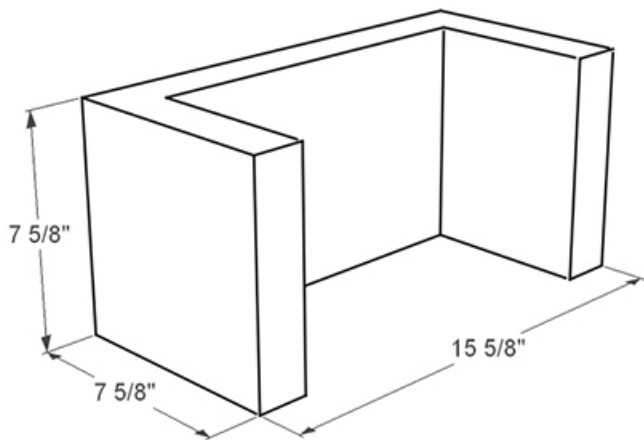
**12X8X16 VERTICAL SCORE**



16X6X16 COLUMN

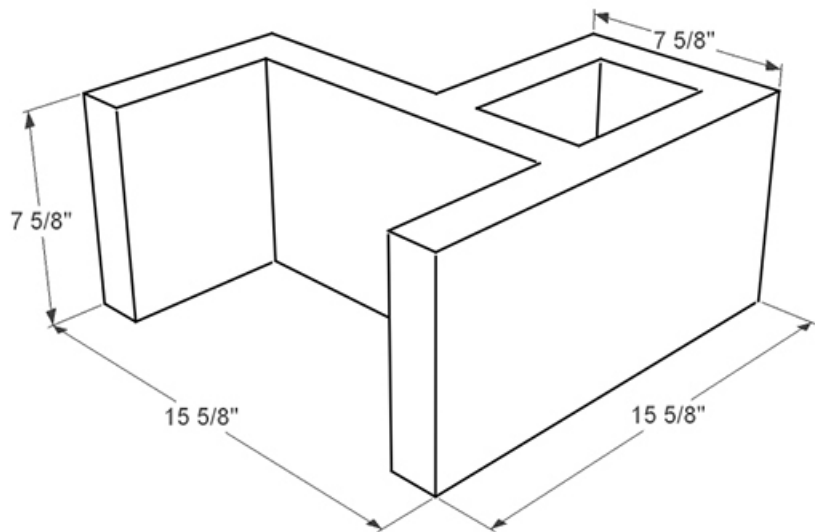


16X8X6 A-ALT

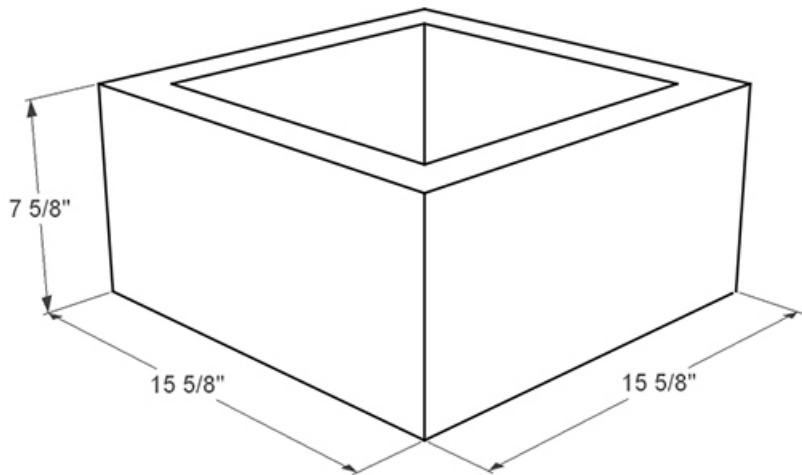


16X8X8 C- ALT

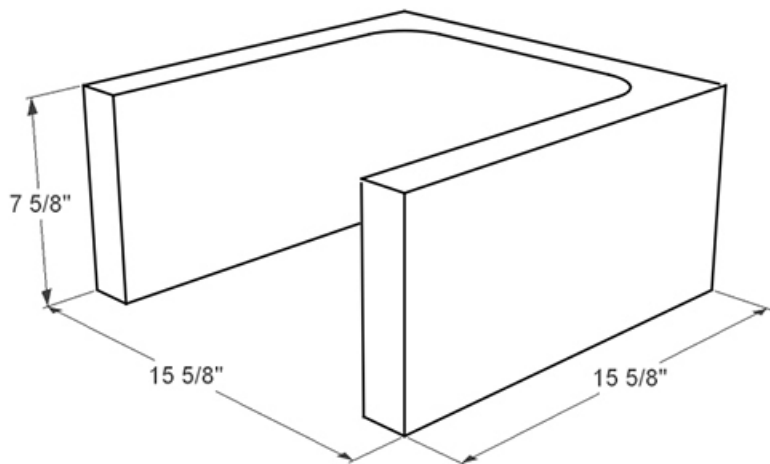




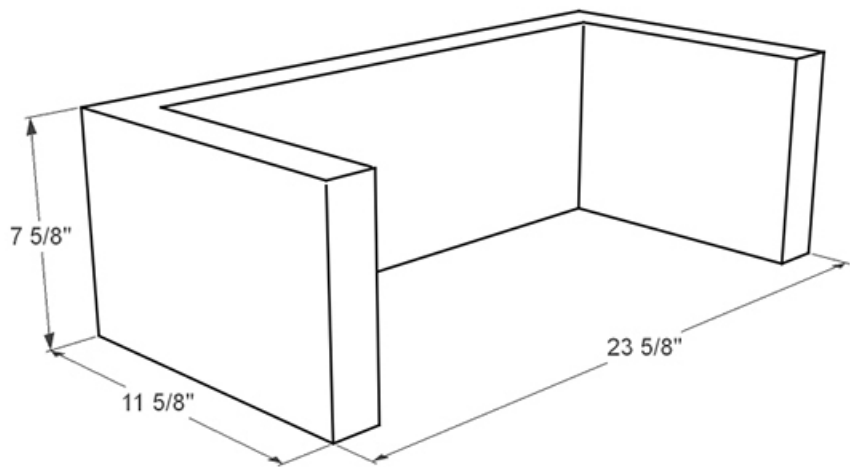
16X8X16 BANJO



16X8X16 COLUMN



**16X8X16 DEEP U LINTEL**



24X8X12 C- ALT